

Afidano

High End Genuine Leather Compressor Cigar Humidor



L3 / L5 / L6 / L8

Please read this user manual carefully before using the product. Please keep this user manual for your future reference.

Contents

Safety Information	01
Installation.....	08
Operating Your Humidor	09
Technical parameter	12
Product structure drawing	13
Circuit diagram	16
Trouble shooting	17
Cleaning instructions	18
Cigar storage knowledge	19
Warranty Terms	21

Safety Information

To reduce the risk of fire, electric shock, or personal injury, thoroughly read the manual and all instructions completely and carefully.

Store this manual in a safe place for future reference.

All owners, current or future, must have access to this manual.

WARNING

- To avoid accidents or serious injury, all people using this appliance must be familiar with the contents of this User Manual, including Safety Information. The manufacturer is not responsible for damages or injury caused using this device beyond normal operations.
- This appliance is not recommended for use by persons (including children) with reduced physical, sensory, or mental capabilities, or lack of experience and knowledge, unless they have been given supervision or instruction concerning use of the appliance by a person responsible for their safety.
- The appliance is designed for indoor use only. It is not suitable for camping use, and it shall not be exposed under rain.
- This product is not a toy. Children shall not play with or inside the appliance. Small children and pets should be supervised when using the appliance.
- Cleaning should be conducted by a suitable adult or child aged 8 or above under supervision.
- Children aged from 3 to 8 years are allowed to load and unload refrigerating appliances.
- When discarding the appliance, make sure to unplug the appliance and wait a while before cutting the power cable (as close to the appliance as possible) and remove the door to prevent children from playing with the appliance, thereby reducing the risk of serious injury or death from electric shock or suffocation.
- The cyclopentane foaming the humidor uses is flammable, which when disposing should not be burned down and be kept away from fire

source. Please seek help from professional recycling companies dealing with the disposal to avoid environment damage or undesired danger.

- If this appliance features a magnetic door seal and is to replace an older appliance with a spring lock (latch) on the door or lid, be sure to remove, disable, or make the spring lock unusable before discarding the appliance to prevent serious injury or death.
- **WARNING:** To avoid the danger of suffocation, keep plastic packaging away from pets, babies, and children. Do not use packaging bags in cribs, beds, carriages, or playpens.
- **WARNING:** When using, during maintenance and when disposing of the appliance, pay attention to the left symbol located on the back or on the compressor of the appliance. This symbol warns you of possible fires. There are flammable substances in the refrigerant lines and in the compressor. Keep the appliance away from sources of fire during use, maintenance and disposal.
- **Note:** This unit contains the refrigerant Isobutane (R600a), a natural gas that has high environmental compatibility, but is flammable. Although it is flammable, it does not damage the ozone layer or increase the greenhouse effect. The use of this refrigerant results in a slightly higher noise level of the unit. In addition to the compressor noise, you can hear the flow of refrigerant. This is unavoidable and has no negative effect on the performance of the device. Be careful during transport to avoid damage to the refrigerant circuit. Refrigerant leaks can irritate the eyes.
- **DANGER:** Risk of child entrapment. Before you throw away your old humidifier:
 - Take off the door;
 - Leave the shelves in place so that children may not easily climb inside.
 - Children aged from 3 to 8 years are allowed to load and unload refrigerating appliances.

IMPORTANT SAFETY INSTRUCTIONS



Warning; Risk of fire / flammable materials

WARNING

- Do not puncture the refrigerant tube.
- R-600a is used as a refrigerant. This product contains flammable gas (Refrigerant R-600a).
- **CAUTION:** Risk of fire or explosion. Dispose of refrigerator and refrigerant in accordance with federal and local regulations.
- When disposing of a humidor, remove doors, door seals, and door latches to avoid entrapment of children or animals.
- In order to avoid the creation of flammable gas-air mixture in the event that a leak in the refrigerating circuit occurs, the size of the room in which the appliance may be placed depends on the mass of the refrigerant loaded in the system. The room must be 1m³ in size for every 8 grams of R-600a refrigerant inside the appliance. Please refer to the rating label on the back of the humidor to determine the amount of R-600a refrigerant used in this product.
- The installation location should not be exposed to direct sunlight and not placed near any electrical appliance or heat source, e.g., stove, oven or hob, radiator, etc.

GENERAL SAFETY

- **WARNING!** Keep the ventilation openings, in the appliance enclosure or in the built-in structure clear of obstruction.
- **WARNING!** Do not damage the refrigerant circuit.
- **WARNING!** Do not use mechanical devices or other means to accelerate the defrosting process, other than those recommended by the manufacturer.
- **WARNING!** Do not use electrical appliances inside the storage compartments of the appliance, unless they are the of the type recommended by the manufacturer.
- **WARNING!** If there is a light bulb in you unit, do not touch it if it has

been on for an extended period of time as it could be very hot and may result in serious injury.

- **WARNING!** When positioning the appliance, ensure the supply cord is not trapped or damaged.
- **WARNING!** Do not locate multiple portable socket-outlets or portable power supplies at the rear of the appliance.
- **WARNING!** Do not use extension cords or ungrounded (two-prong) adaptors. **NEVER** plug multiple appliances into the same outlet.
- Make sure that the power plug is not crushed or damaged by the back of the appliance. A crushed or damaged power plug may overheat and cause a fire, resulting in injury or death. Do not bend, twist, pull or place heavy objects on the power cord or supply.
- Do not store explosive substances such as aerosol cans with a flammable propellant in this appliance.
- The refrigerant isobutane (R600a) is contained within the refrigerant circuit of the appliance, a natural gas with a high level of environmental compatibility, which is flammable. Be sure to keep open flames, sources of ignition, and high heat sources away from the unit.
- Ensure that none of the refrigerant circuit components become damaged during transportation and installation.
- Make sure the room where the unit will be installed has thorough ventilation.
- It is dangerous to alter the specifications or modify this product in any way. Any damages to the cord may cause a short circuit, fire and/or electric shock.
- This appliance is intended to be used in household and similar application such as:
 - Staff kitchen areas in shops, offices, and other working environments;
 - Farmhouses and by clients in hotels, motels, and other residential type environments;
 - Bed and breakfast type environments;
 - Catering and similar non-retail applications.
- **WARNING!** Any electrical components (plug, power cord, compressor and etc.), if damaged, must be replaced by a certified service agent or

qualified service personnel. Contact our support team for help.

- **WARNING!** The light bulb supplied with this appliance is designed explicitly for this appliance and should not be used in any other device, lamp, or similar application outside of its intended use in this machine.
- The humidor must be plugged into its own dedicated 220-240V, 50Hz, 10A, AC only electrical outlet. **Do not lengthen or shorten the cord.** The power cord of the appliance is equipped with a three-prong grounding plug for your protection against electrical shock hazards. It must be plugged directly into a properly grounded three prong receptacle. The receptacle must be installed in accordance with local codes and ordinances.
- Make sure you have quick access to the outlet the appliance is plugged into in case of an emergency where disconnection is quickly needed.
- Make sure the appliance is plugged into a wall main outlet and not into any power strip or similar device.
- Do not pull on the main power cable.
- If the power socket is loose, do not use it for the appliance under any circumstance as it may result in electric shock or fire.
- You must not operate the appliance without the lamp (if applicable to your unit).
- This appliance is heavy. Care should be taken when moving it. Team lift is recommended.
- Avoid prolonged sunlight exposure to the appliance.

DAILY USE

- The humidor shall be used on a level surface.
- Do not put hot objects or devices on the plastic parts in the appliance.
- Do not move the humidor when there are objects inside as it may damage the cabinet.
- If the appliance is left empty for long periods, switch off, defrost, clean, dry and leave the door open to prevent mold growing inside the appliance.
- This device is intended exclusively for the storage of cigar.
- This appliance is not intended for use as a built-in appliance unless explicitly stated in the instructions.

- This appliance is not suitable for freezing food.
- The racks were pre-set to allow the most efficient use of energy.

CARE, CLEANING AND MAINTENANCE

- Before cleaning or maintenance, switch off the appliance and disconnect the power plug from the main socket.
- When pulling out the shelves from the rails, please make sure the door is wide open in order to prevent undesired damage to the magnetic door seal.
- Do not clean the appliance with metal objects.

INSTALLATION

- **IMPORTANT!** For electrical connection, carefully follow the instructions given in the following points.
- The humidor must be disconnected from the source of electrical supply before attempting the installation.
- Only use accessories as indicated and not for any other use.
- Remove all protective plastic before using the appliance.
- Unpack the appliance and check if there is any damage to it. Do not connect the appliance if it is damaged. Report possible damages immediately to the retailer you purchased from. In the case of any damages, keep the packaging for proof.
- We advise to let humidor stand upright for 24 hours before plugging in the appliance to allow the oil to flow back into the compressor.
- There should be adequate air circulation around the appliance. Poor air circulation may lead to overheating. To achieve sufficient ventilation, follow the instructions relevant to installation.
- Where possible, make sure the product spacers are against a wall to avoid touching or catching warm parts (compressor, condenser), resulting in possible burning.
- The appliance must not be located adjacent to radiators or cookers.
- Make sure that the power plug is accessible after installing the appliance.
- Allow the humidor to operate for 2-3 hours after installation before placing cigars inside.

SERVICE

- A qualified electrician should carry out any electrical work or service required.
- The product shall be serviced by an authorized Service Center. And only genuine parts are used.

ENVIRONMENT PROTECTION



This appliance does not contain gasses that could damage the ozone layer in either its refrigerant circuit or insulation materials. The appliance should not be discarded in urban refuse or rubbish. The insulation foam contains flammable gases: the appliance should be disposed according to local authorities. Avoid damaging the cooling unit, especially the heat exchanging unit. The materials used in this appliance marked by the recycle symbol are recyclable.



This symbol on the product or on its packaging indicates that this product may not be treated as typical household waste. Instead, it should be taken to the appropriate collection point for the recycling of electrical and electronic equipment. Ensuring this product is disposed correctly will help prevent potential negative environmental and human health consequences, which could otherwise be caused by inappropriate waste handling of this product. For more detailed information about the recycling of this product, please contact your local council, your household waste disposal service or the shop you purchased the product from.

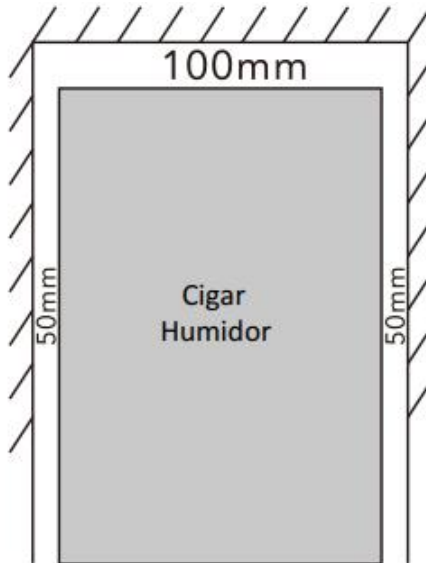
Installation

BEFORE USING YOUR HUMIDOR

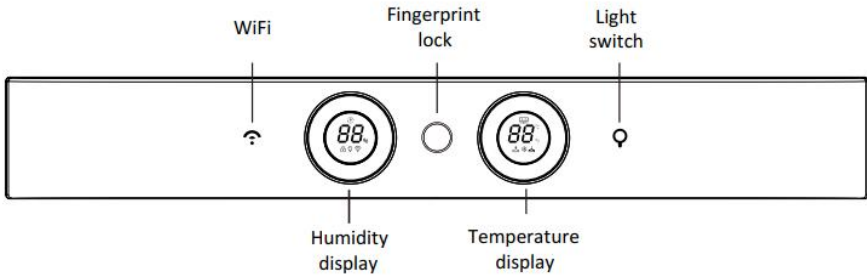
- Remove the exterior and interior packaging.
- Before connecting to power, let it stand upright for at least 24 hours. This will reduce the likelihood of cooling system malfunction due to handling during transportation.
- Clean the interior with lukewarm water using a soft cloth. Please do not apply erosive cleaning agent or solvent.
- Place humidor on a level surface that is strong enough to support the humidor when it is fully loaded.
- Adjust the legs accordingly to level your humidor.

SUGGESTED CABINET CLEARANCES

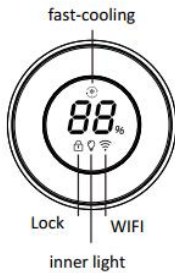
- Please allow 50mm (2") clearance on both sides, the top and the back of the humidor for better ventilation.



Operating Your Humidor



Humidity knob



Temperature knob



1. Connect to Wi-Fi: Turn on the humidor, press and hold the Wi-Fi button for three seconds. You will hear a beep, and the Wi-Fi indicator light will flash for 60 seconds. Open AFIDANO app on your smartphone and follow these steps: Add Device -> Select Category -> Choose "Refrigerator" -> Select the corresponding model -> Next -> Enter your Wi-Fi account and password to connect to the cloud server. Once the connection is successful, the Wi-Fi indicator light will stay on continuously. You can connect up to 15 smartphones. During the network configuration process, the Wi-Fi indicator light will flash.
If Wi-Fi is successfully connected, the Wi-Fi indicator light will stay on continuously.

If the Wi-Fi fails to connect to the network, the Wi-Fi indicator light will turn off.

2. Light: press to turn on/off the inner light. Press and hold to switch degrees Fahrenheit between Celsius display.
3. Humidity adjustment: The left knob is for humidity adjustment, turn clockwise to increase the humidity, counterclockwise to reduce between **60%-75%**.
4. Temperature adjustment: The right knob is for temperature adjustment, turn clockwise to increase the temperature, counterclockwise to reduce the temperature between **16-22°C**.
5. Button combination functions:
 - 1) Power-on, unlocked & no error displayed, press Wi-Fi and light button and hold for 3 seconds, to enter the menu selection.
 - 2) The left knob screen shows menu options, while the right shows the number of recorded fingerprints (show 00 if all fingerprints are deleted in in factory default mode).
 - 3) Exit: a, status will end in 5 sec without further operation; b, press Light button to select other menu, press Wi-Fi button to enter.
6. Register fingerprints:
 - 1) In unlocked state (any fingerprint can be unlocked by factory default), press "Wi-Fi" button and "Light" button at the same time.
 - 2) Press the Light button again and then adjust the digit on the left temperature screen to "1" by turning the light button. Then press the Wi-Fi button to confirm.
 - 3) Press your finger on the fingerprint lock. When the fingerprint lock lights turn from white to blue, your fingerprint is successfully registered.
 - 4) If red-light blinks three times and the buzzer beeps three times, it

means registration fails. Repeat the procedure steps until the recording succeeds.

- 5) Delete all fingerprint: Press the Wi-Fi button and the light button at the same time, and then press the light until "02" is displayed. Press the Wi-Fi button again to confirm. The fingerprint lock flashes green light 3 times, delete successfully.

7. Fingerprint registered successful: the display board is fully lit, and the buttons and drawers will be unlocked. No operation is performed within 10 seconds after unlocking, and the display board becomes dark. No operation in 90 seconds, drawers will lock.

8. Water for humidifier, adding water from the top of the cabinet. Please add about **1.7 liter** (L3/L5) or **2.6 liter** (L6/L8) of distilled water, until water level alarm beeps.

9. Alarm code:

- 1) When the environment sensor is faulty, "F2" is displayed; When the space sensor is faulty, "F3" will be displayed.
- 2) When the defrosting sensor is faulty, "F4" is displayed.
- 3) The dual display panel displays "E0". When the driver panel is faulty, the left display panel displays "E0".
- 4) The space humidity sensor fails to communicate, and " E1 " is displayed on the left screen.
- 5) Water shortage alarm: when the water level of the water tank is low, the display on the right-side lights up the mark of low water level and makes a buzzer.
- 6) Full water alarm: when the water level of the water tank reaches the highest, the right.
- 7) Display screen shows the high-water level mark, emit a buzzer. The alarm can be neutralized by closing the tank lid. Or drain until the alarm stops.

10. Precautions:

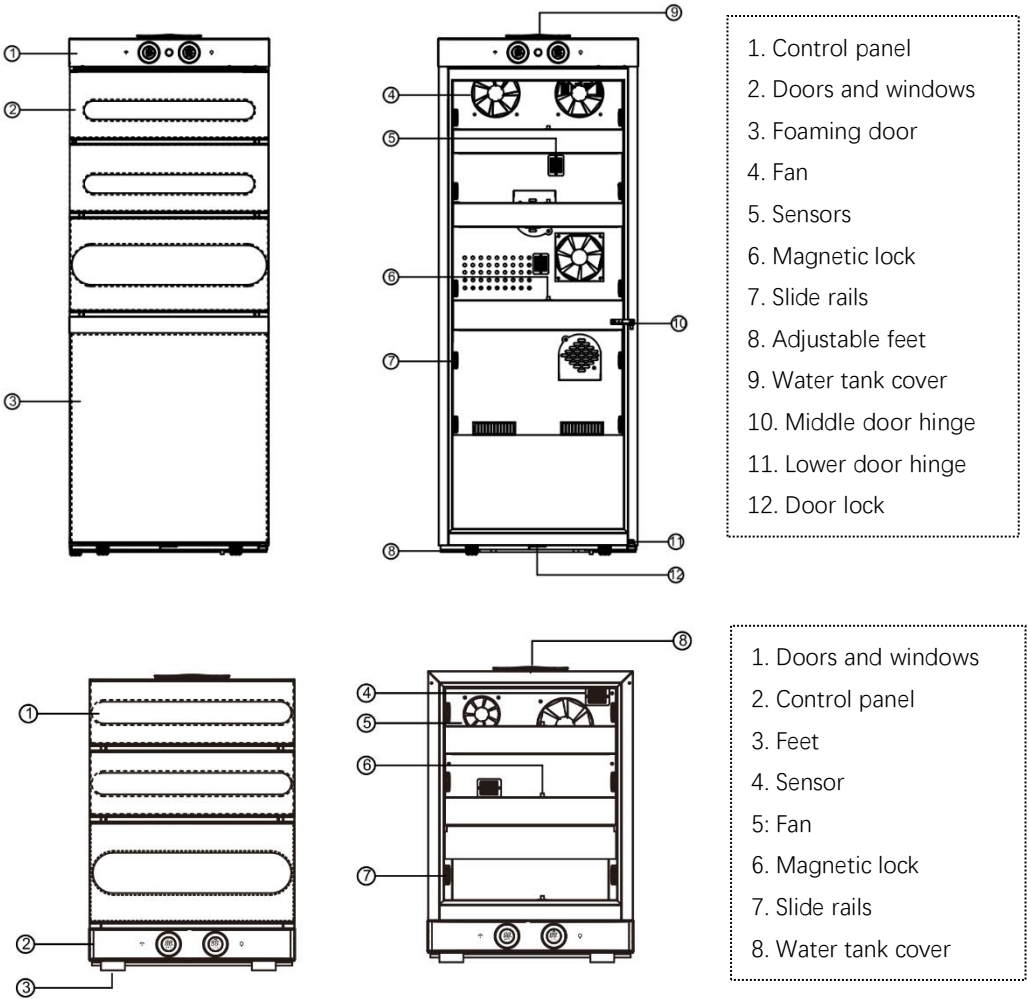
The maximum number of fingerprints that can be registered is 50. If the number exceeds the limit, all fingerprints need to be deleted first, and then re-registered one by one.

If there is no response after pressing the finger for 4-5 seconds, release the finger and wait for 3-5 seconds, and then try again. To increase the recognition accuracy, please try to make more contact between the finger and the fingerprint recognition head position, and make sure to touch the black metal part.

Technical Parameters

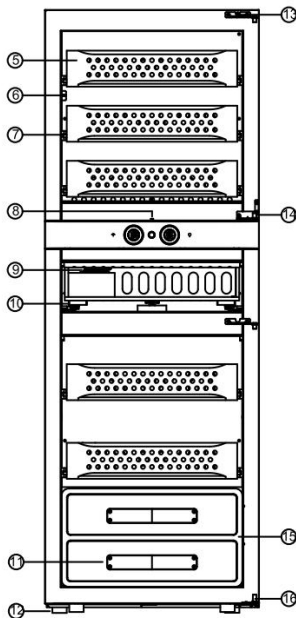
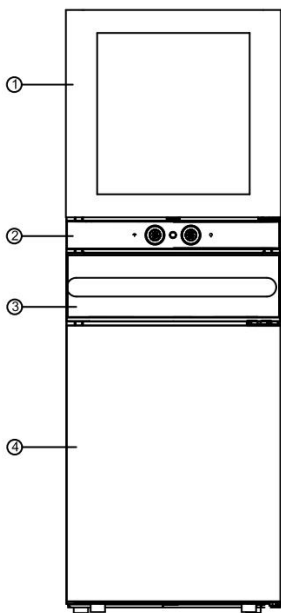
Model	L3	L5
Volume	50L	152L
Rated Voltage	220-240V	220-240V
Rated Current	1.0 A	1.0 A
Rated Frequency	50Hz	50Hz
Climatic type	SN & N & ST & T	SN & N & ST & T
Heating Power	80W	120W
Temp. range	16-22°C	16~22°C
%RH	60~75%	60~75%
N.W	32KG	55KG
Size	440×629×504mm	498×1296×504mm
Base rack size	440×501×504mm	N/A

Product illustration:

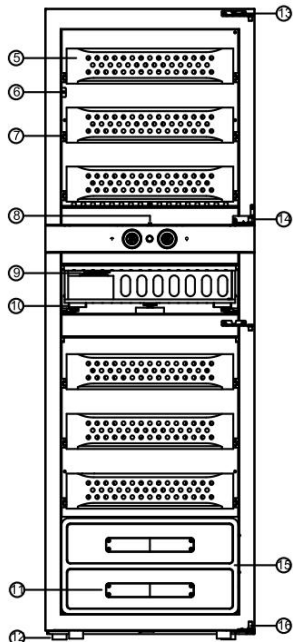
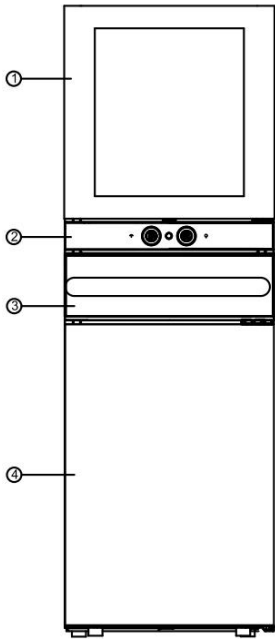


A Fermentation case in the drawer is a wooden case with temp and humidify. It is suitable to put cigar in it 30 min before enjoying it, with the best flavor from it.

Model	L6	L8
Volume	272L	376L
Rated Voltage	220-240V	220-240V
Rated Current	1.0 A	1.0 A
Rated Frequency	50Hz	50Hz
Climatic type	SN & N & ST & T	SN & N & ST & T
Heating Power	150W	150W
Temp. range	16-22°C	16-22°C
%RH	60~75%	60~75%
N.W	91kg	101kg
Size	598×1670×625mm	598×1795×720mm



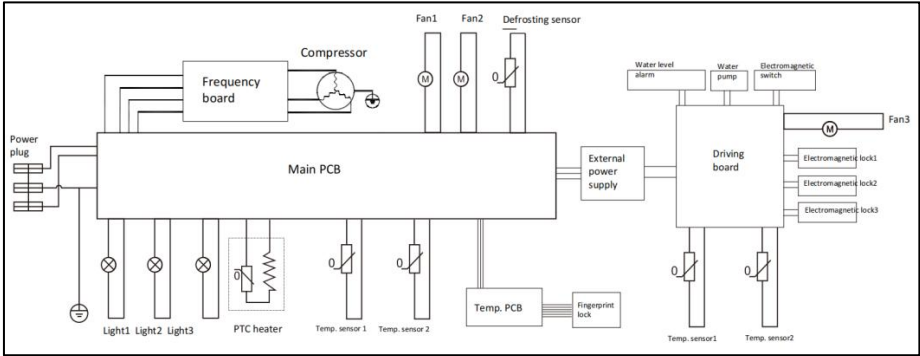
1. Glass door
2. Control panel
3. Mid drawer
4. Lower foam door
5. Cigar drawer
6. Temperature sensor
7. Sliding rack
8. Magnetic lock
9. Water refill cap
10. Sliding rail
11. Leather handle
12. Legs
13. Upper door hinge
14. Mid door hinge
15. Fermentation case
16. Lower door hinge



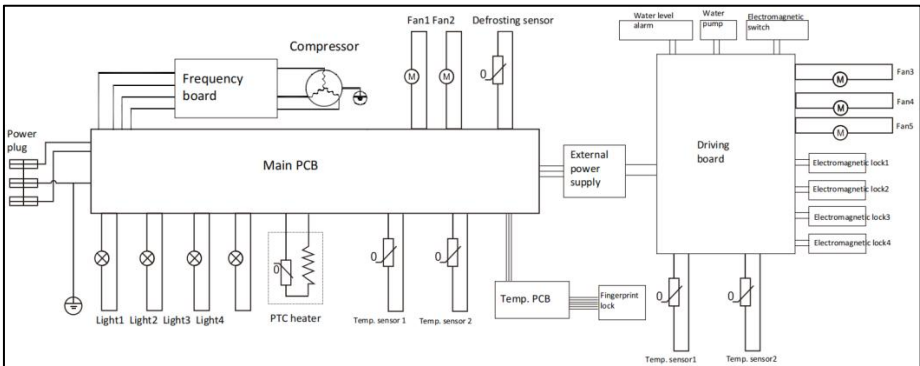
1. Upper glass door
2. Control panel
3. Mid drawer
4. Lower foam door
5. Cigar drawer
6. Temperature sensor
7. Sliding rack
8. Magnetic lock
9. Water refill cap
10. Sliding rail
11. Leather handle
12. Legs
13. Upper door hinge
14. Mid door hinge
15. Fermentation case
16. Lower door hinge

Circuit Diagram:

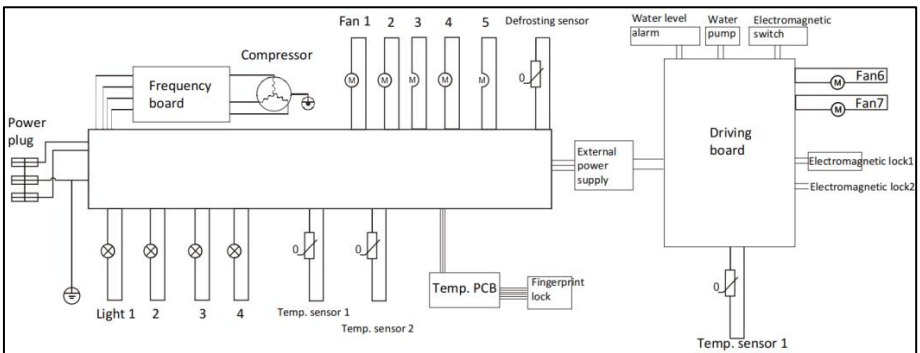
L3



L5



L6 / L8



Trouble shooting

Trouble shooting	
Problem description	Check & Fix
The cigar humidor is not working.	<p>Check power cord plug in power outlet.</p> <p>Check if the product is turned off.</p> <p>Check if switch is damaged or the fuse blown?</p> <p>The temperature inside the cabinet is not low enough.</p>
Inner temperature is not low enough	<p>Check if temperature is correctly set.</p> <p>Check if outer environment is too high.</p> <p>Check if the door is frequently opened and closed.</p> <p>Check if the door is not properly closed.</p> <p>Check if door is sealed.</p>
Humidor is frequently on & off	<p>Check if temperate in your home is higher than regular days.</p> <p>Overloaded in the humidor.</p> <p>Check if the door is frequently opened.</p> <p>Check if the door is not properly closed.</p> <p>Temperature is not correctly set.</p> <p>Check if door is sealed.</p>
No light	<p>Check if power cord is well connected to power outlet.</p> <p>Check if switch is broken or fuse blown.</p>
Vibration noise	<p>Check if the humidor is well leveled.</p>
Loud noise	<p>Check if the humidor housing shrank or expanded.</p> <p>Check if the ventilation is blocked.</p> <p>Check if the humidor is placed on a level and solid ground.</p> <p>When the compressor starts or stops, the internal coil device has to be transformed from static to high-speed operation or from high-speed to static state. At the moment of transformation, the compressor will make a louder sound than normal operation, such as "clack" sound, which is normal.</p>
Door could not close	<p>Check if the cigar humidor placed on a level and solid ground.</p> <p>Check if the door properly installed.</p> <p>Check if the door seal too dirty to affect its sealing tightness.</p> <p>Check if the shelf is misaligned.</p>

Cleaning instructions:

Before cleaning, please unplug from power outlet to ensure that the cigar humidor is powered off.

Remove all items stored in the humidor and temporarily keep them in low temperature space.

Remove all shelves and cases.

Use a clean damp cloth to clean the interior, door seal and control panel.

Note! Do not use any chemical agents.

Use a clean, soft cloth to clean the exterior walls of the humidor and the surface of the door. If necessary, use a slightly moistened cloth (water + mild cleaning agent). After cleaning, thoroughly dry the surface with a clean cloth.

Regularly check the water tank. Make sure to keep sufficient water level, not overtly filled. Change the water once every three months and maintain a moderate water level.

(After draining water tank, add an appropriate amount of baking soda to purified water at a ratio of 1:200, pour it into the water tank, start the cigar cabinet and run it for 4 hours, then drain the water in the water tank again, and refill with purified water.)

After cleaning, restart the cigar cabinet and put your cigars back in.

Do not damage the nameplate on the back. The information on the nameplate will be needed for warranty service.

Leather Daily Maintenance

1. Keep leather away from direct sunlight and heat sources, which can cause fading and drying out.
2. Regularly clean leather with a soft, dry cloth to remove dust and dirt. For more stubborn stains, use a damp cloth with a mild soap solution.
3. Use a leather conditioner or protectant to keep the leather moisturized and prevent cracking or peeling. Apply it with a soft cloth and allow it to absorb into the leather for several hours or overnight.
4. Avoid getting leather wet, or if it does get wet, allow it to air dry naturally away from heat sources. Do not use a hairdryer or other heat source to dry leather as this can damage it.
5. Store leather items in a cool, dry place and use appropriate protective covers to prevent damage from dust and moisture.

Cigar storage, moisturizing and humidifying.

No matter how you store cigars, you should check them regularly to ensure appropriate humidity! It is recommended to check the status of cigars once a week.

When we buy good cigars and leave the tobacco shop, we usually don't have to worry about whether these cigars can be enjoyed immediately. However, for consumers who buy a large number of cigars and store them in many boxes, proper storage becomes an issue that needs attention. It is generally believed that cigars are best stored in an environment suitable for smoking. Many cigar enthusiasts believe that the "ideal" temperature in this environment is about 25°C and the relative humidity is about 70% or a similar

range. If the cigars are too dry, they will overheat and burn quickly and unevenly when smoked. If the cigars are too humid, the flavor will easily dissipate, making it difficult to enter the mouth, and there is a risk of mold during storage. None of these extreme conditions are ideal. Therefore, no matter how you store cigars, you should check their condition regularly to ensure appropriate humidity. It is recommended to check them once a week.

Recommended cigar storage temperature and humidity

Temperature 20 °C , Humidity 70%

WARRANTY

The manufacturer warrants to the original purchaser of this product that the product is free from defects in workmanship and materials for a period of 2 years from the date of purchase, given this product is used and maintained according to instructions that comes with the product.

The purchaser must contact Afidano Customer Service Department and provide description of the defect, digital pictures if necessary, purchase channel, serial number, order ID and the original purchase documents for validation of warranty coverage date.

Once it's been confirmed that your appliance is eligible for warranty service, Afidano Customer Service Department will contact you by mail or phone regarding warranty solution. Replacement parts and/or units will be new, re-manufactured or refurbished and is subject to the manufacturer's discretion. Afidano is not responsible for damage resulting from shipper mishandling or improper packing. Do not return a defective product to the place of purchase. Product received without a return authorization number will be refused.

After receiving the unit, please do not remove or alter original model/serial number. This will influence the after sales service. Please carefully keep the user manual for future reference.

If you need help, please refer to troubleshooting section first. If your trouble persists, feel free to contact us by mail or call. Filling in below table will assist our warranty service should you be needing it. You may find model and serial numbers on the product.

Model No.	
Serial No.	
Dealer Name	
Date of Purchase	

Warranty Exclusions:

The warranty does not apply if damage is caused by any of the following:

1. Damage to the product due to misuse, mishandling and abuse.
2. Product is not assembled or installed according to manufacturer's instruction.
3. Repairs by unauthorized persons or service centers with unauthorized spare parts.
4. Failure to provide reasonable and necessary maintenance.
5. Improper power supply such as low voltage, defective household wiring or inadequate fuses.
6. Accident, alteration, misuse or abuse of the appliance such as using non-approved accessories, inadequate air circulation in the room or abnormal operating conditions, such as extreme temperatures.
7. Damage in transit or when moving the appliance.
8. Use of force or damage caused by external influences.
9. Storage of improper items.
10. Normal wear and tear.
11. Cosmetic damage, including scratches, dents, chips, or other damage to the finish of your product, unless such damage results from defects in materials or workmanship and is reported to us within 30 days from the date of purchase.
12. Fire, water damage, theft, war, riot, hostility or acts of God such as hurricanes, floods, etc. In addition, consequential damage and incidental damages, such as damage to person or property are not covered under this warranty.
13. Partially or completely dismantled appliances.

Manufacturer Information

MINEA ELECTRICAL APPLIANCE CO., LTD

Email: info@afidano.com